



energize
the earth
buy the sun

fiXflat Roof Mounting System

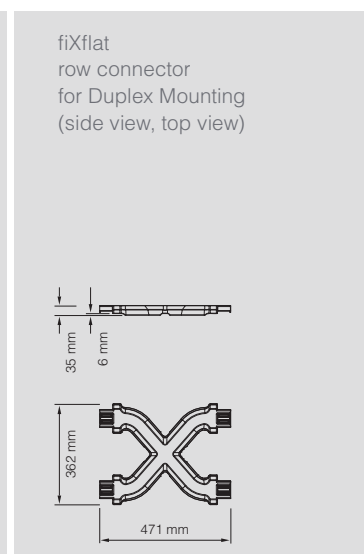
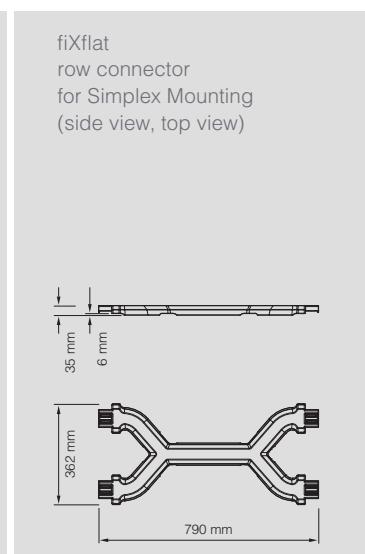
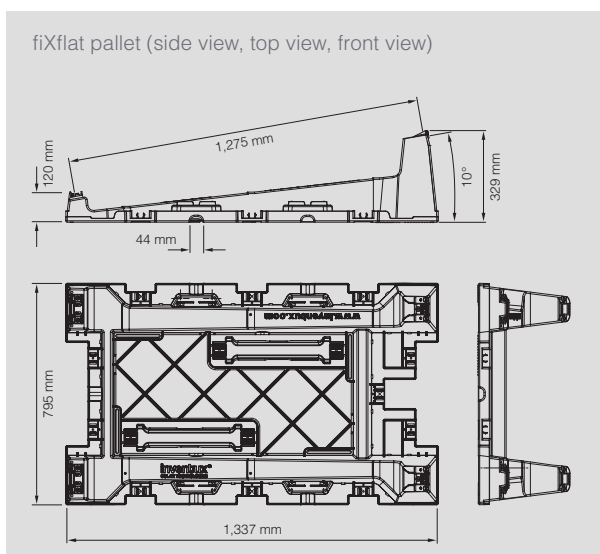
Technical specifications

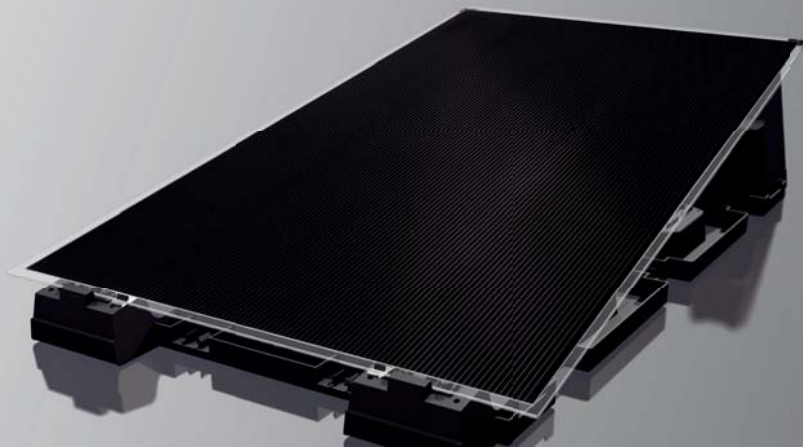
Dimensions (W x H x L)	795 mm x 329 mm x 1,337 mm
Weight (w/o fiXflat row connector)	5.5 kg
Material	UV-resistant, recyclable copolymer, polypropylene
Operational warranty*	20 years
Maximum lateral inclination of roof	5 degrees

* Complete and most recent terms and conditions of warranty and guarantee shall prevail.

Technical advantages

Minimal ballast – installation possible without using additional ballast to secure positioning	Minimal additional load enables utilisation of roofs with limited load-bearing capacities
No roof penetration necessary	No encroachment on existing building fabric
Homogenous load distribution on roof due to lower surface load (15 kg/m ²)	Uniform lateral load distribution helps to protect the roof
Tool-free installation	Intelligent connection system facilitates rapid installation without screws
1 module = 1 fiXflat pallet	Simple and fool-proof layout of mounting system



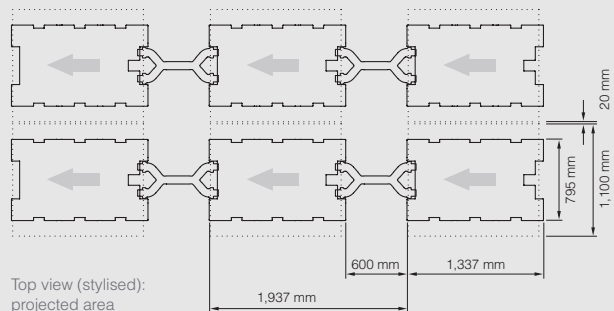


fixflat

Simplex Mounting – for an optimal module orientation



- Focus: optimal orientation towards the sun
- Only minimal ballast is necessary to secure position – the fixflat pallet has been provided with ballast zones which are specially designed for this purpose
- Surface requirements: approx. 15 m²/kW_p*

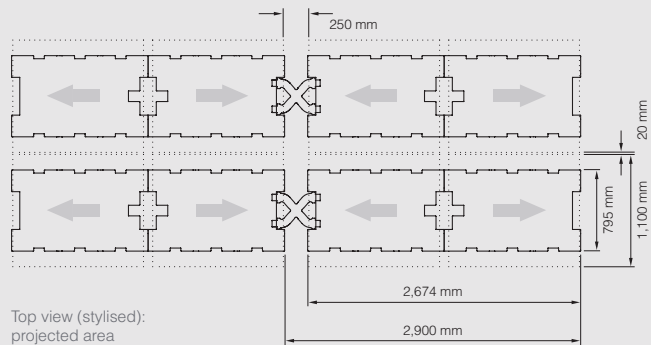


* for module output of 120 W_p

Duplex Mounting – for a maximum number of modules/m²



- Focus: optimal utilisation of roof surface
- Up to 20 % more module surface compared to conventional flat roof solutions
- No additional ballast required for installation (see required conditions for ballast-free assembly in the installation manual)
- Surface requirements: approx. 13 m²/kW_p*



* for module output of 120 W_p

Excerpts from the required conditions for ballast-free assembly of a Duplex Mounting

Values are valid for terrain category II* for the standard range of flat roofs ("H" range)

Notice for Simplex Mounting: Any ballast required for securing the system's positioning can be obtained upon request.

Wind load zone	Maximum building height
1	37.5 m
2	19.5 m
3	10.8 m
4	6.2 m

* Open areas with hedges, individual farm buildings, houses or trees, e.g. agricultural area. Further details can be found in DIN 1055-4 (03.2005).



Inventux Technologies AG Wolfener Str. 23 12681 Berlin Germany
T +49 (0)30 626 406 0 F +49 (0)30 626 406 406 info@inventux.com

inventux[®]
SOLAR TECHNOLOGIES

Art. No. 160112 08/2010 1 EN (Subject to change. Contents protected by copy write. Permission must be obtained for duplication and any other use.)